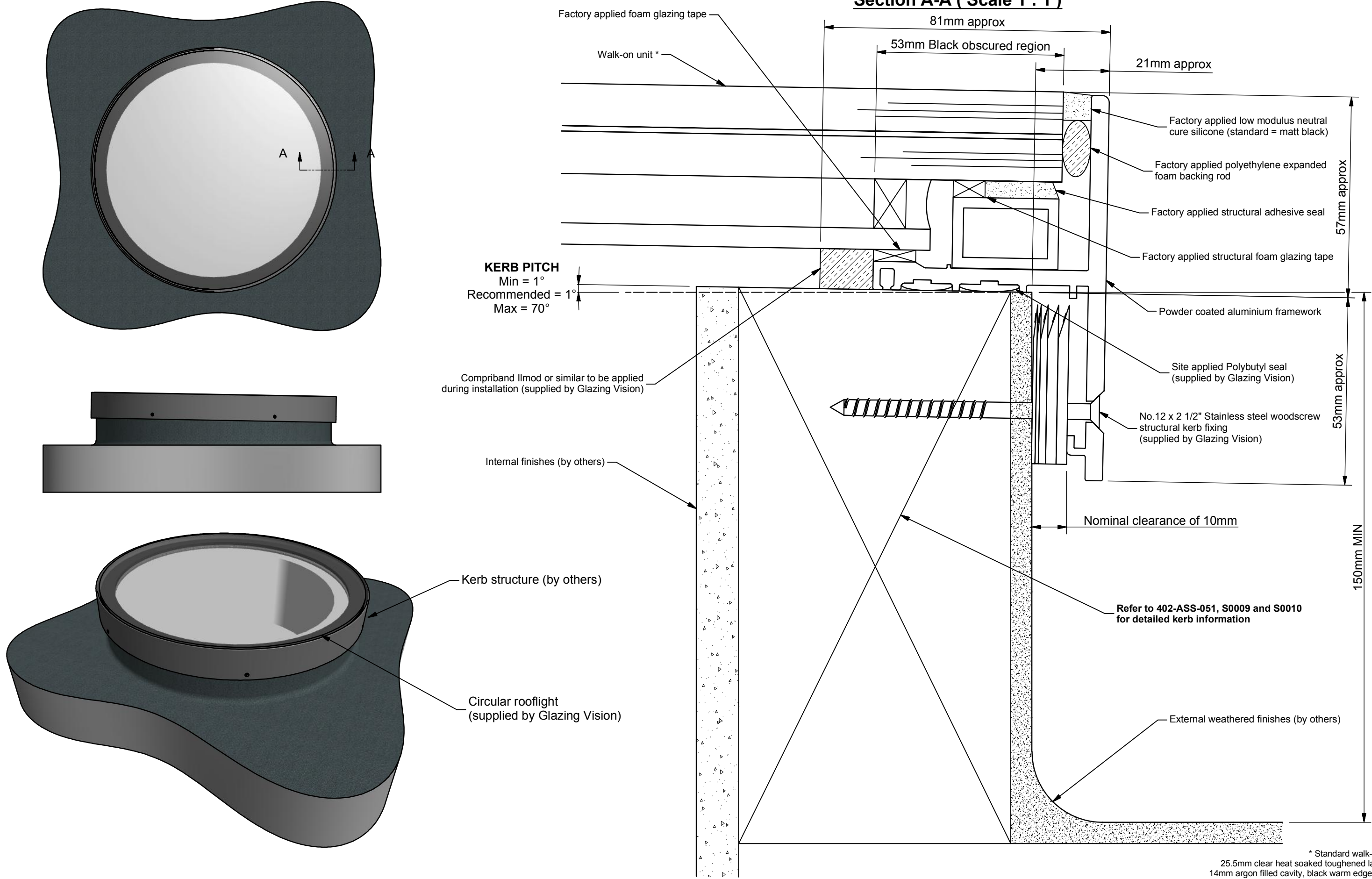


Section A-A (Scale 1 : 1)



* Standard walk-on unit:
25.5mm clear heat soaked toughened laminate
14mm argon filled cavity, black warm edge spacer
6mm toughened soft coat low E inner

GLAZING VISION
Saw Mills Road
Diss
Norfolk
IP22 4RG
Tel: +44 (0)333 8000 881
Fax: +44 (0)333 8000 882
Email: sales@glazing-vision.co.uk
Website: www.glazing-vision.co.uk

IT IS GLAZING VISION'S POLICY TO CONTINUOUSLY DEVELOP AND IMPROVE OUR PRODUCTS. AND THEREFORE RESERVE THE RIGHT TO MODIFY OR CHANGE THE DETAIL DESIGN AT OUR DISCRETION AND WITHOUT PRIOR NOTICE. THIS DRAWING IS COPYRIGHT AND THE SOLE PROPERTY OF GLAZING VISION LTD. THE DESIGNS/INFORMATION IT CONTAINS ARE PRIVATE AND CONFIDENTIAL. IT MUST NOT BE COPIED, EXHIBITED OR COMMUNICATED TO THIRD PARTIES FOR ANY PURPOSE OTHER THAN THAT FOR WHICH IT WAS ISSUED WITHOUT THEIR WRITTEN PERMISSION.

Third angle projection unless otherwise noted.
Tolerances:
Whole numbers = ±1mm
One decimal place = ±0.5mm
Two decimal places = ±0.2mm
Angular = ±0.5 degree
IF IN DOUBT - ASK! DO NOT SCALE
Supplier to deburr & remove sharp corners

Rev	Revision Description	Drawn/Date
A	Amended to new standard glass specification to suit Eurocode NA BS EN 1991-1-1 2002 loadings. Amended 3D views for clarity	PGW 09.08.13

Product: 402 - GV Standard Flushglaze		Checked By:
Description: Circular Walk-on Flushglaze kerb detail		
Materials: As above		Check Date:
Finish: Std = RAL7015 Grey	Drawn By: PGW	
Weight: N/A	Drawn Date: 20/9/11	
Quantity: N/A	Drawing No: 402-ASS-053	
Scale: 1:1 @ A3		